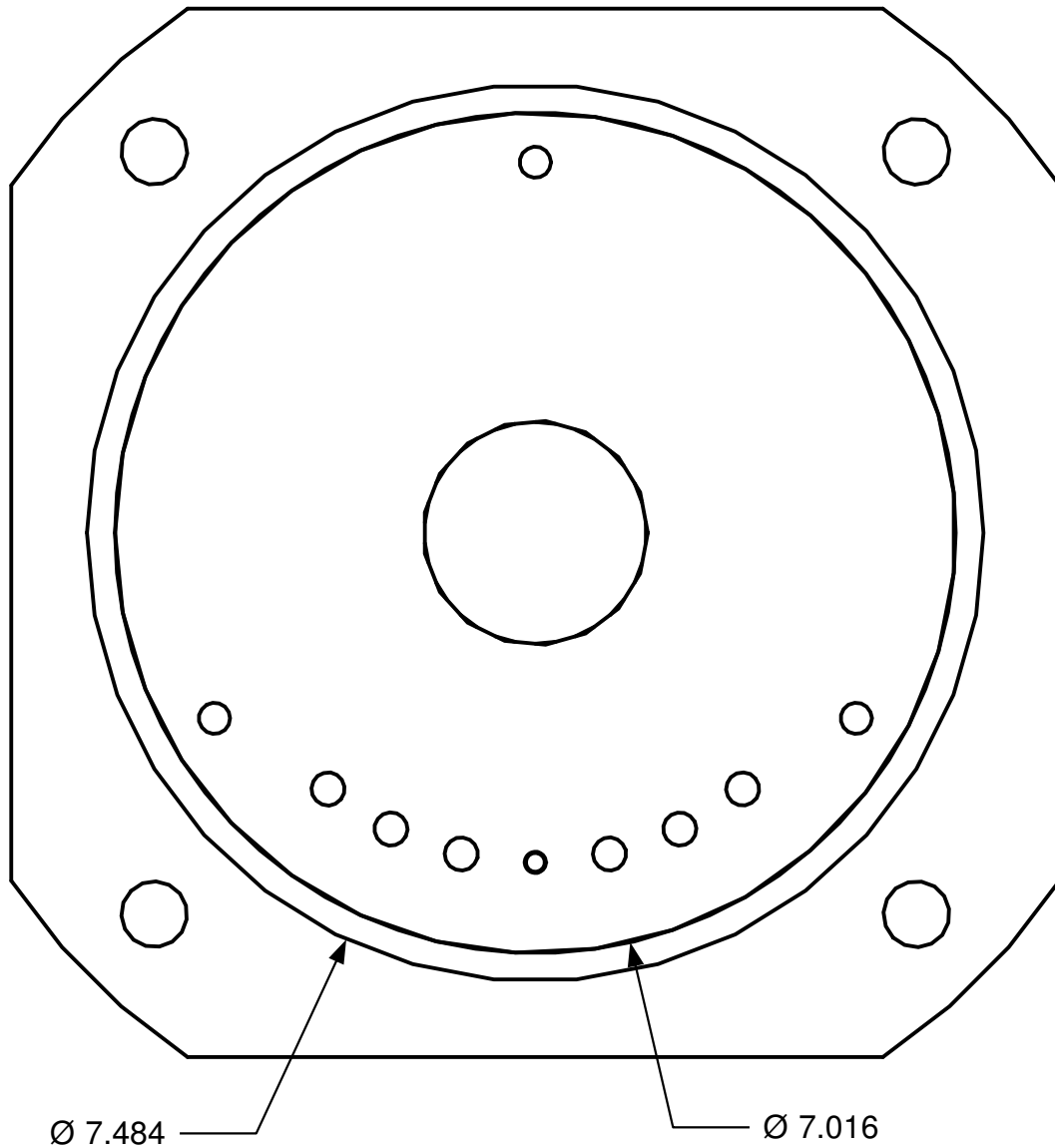
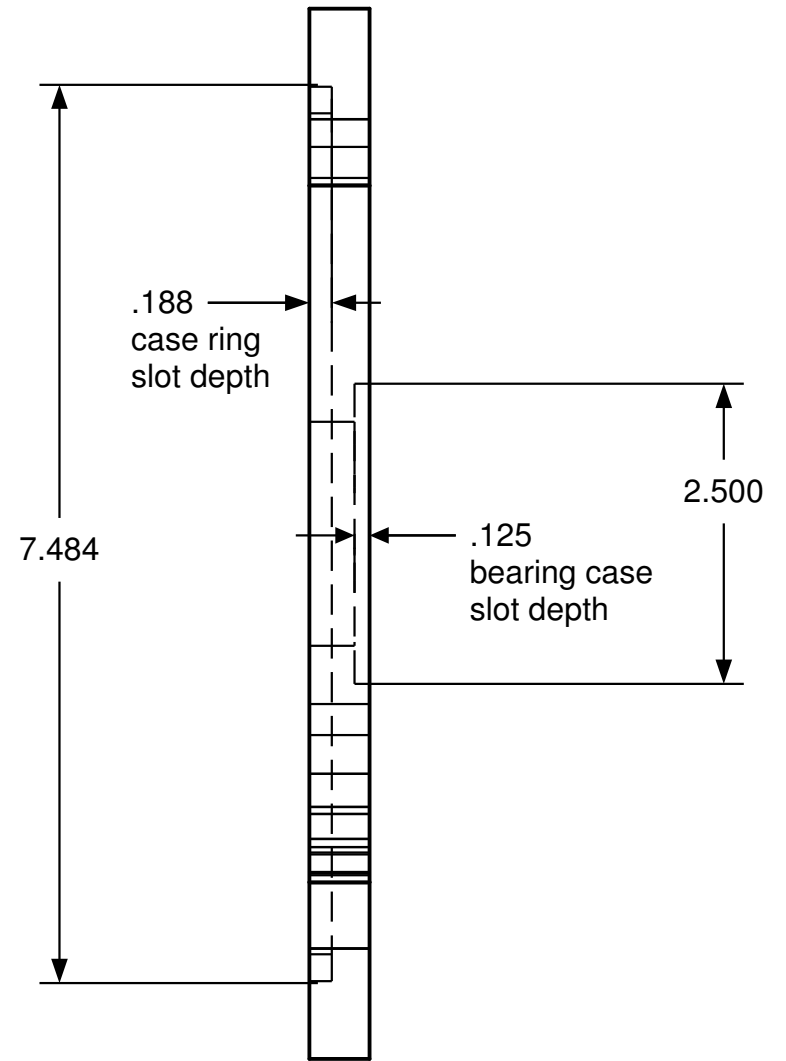


Description: statorplate - lower case slot details



Face a



Side view

Part: stator plate - sheet d
Scale: inch
Material: 6061 aluminum
Source: speedymetals,enco,mscdirect