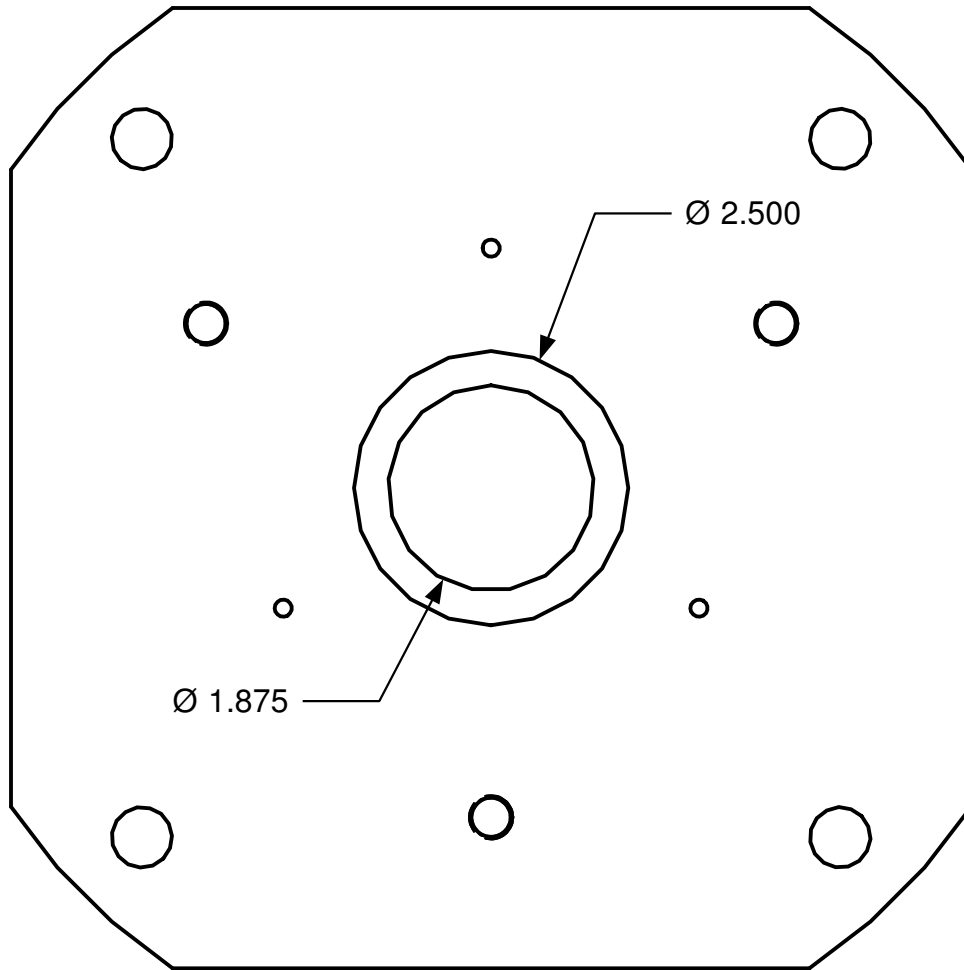
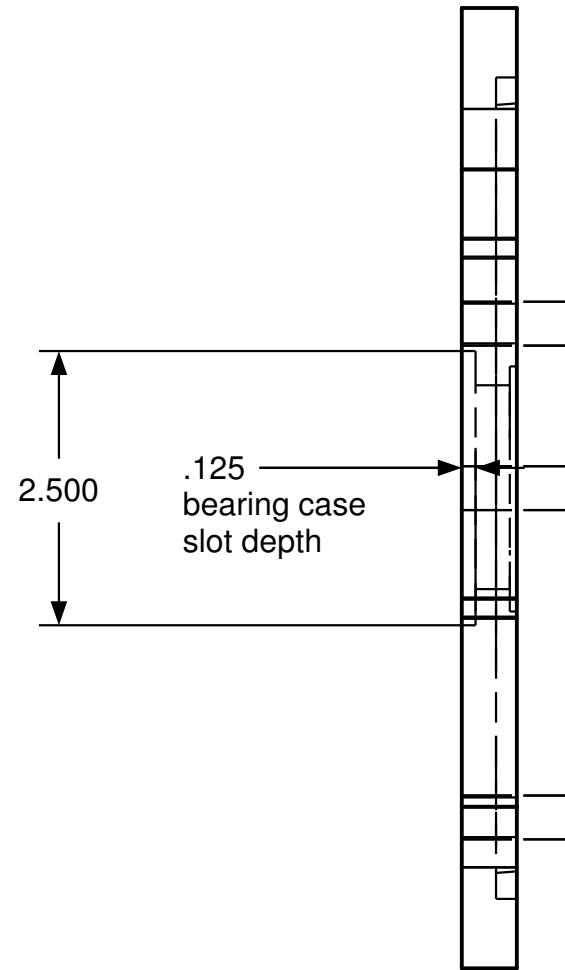


Description: slot detail for bearing case



Face - b



Side view

Part: lower hotrotor plate - sheet d  
Scale: inch  
Material: 6061 aluminum  
Source: speedymetals