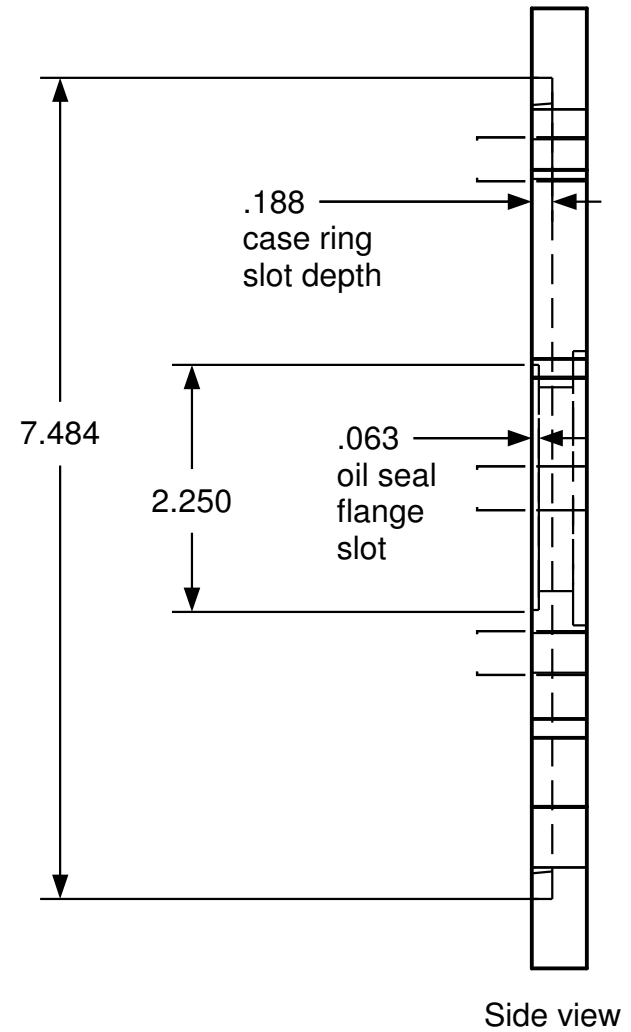
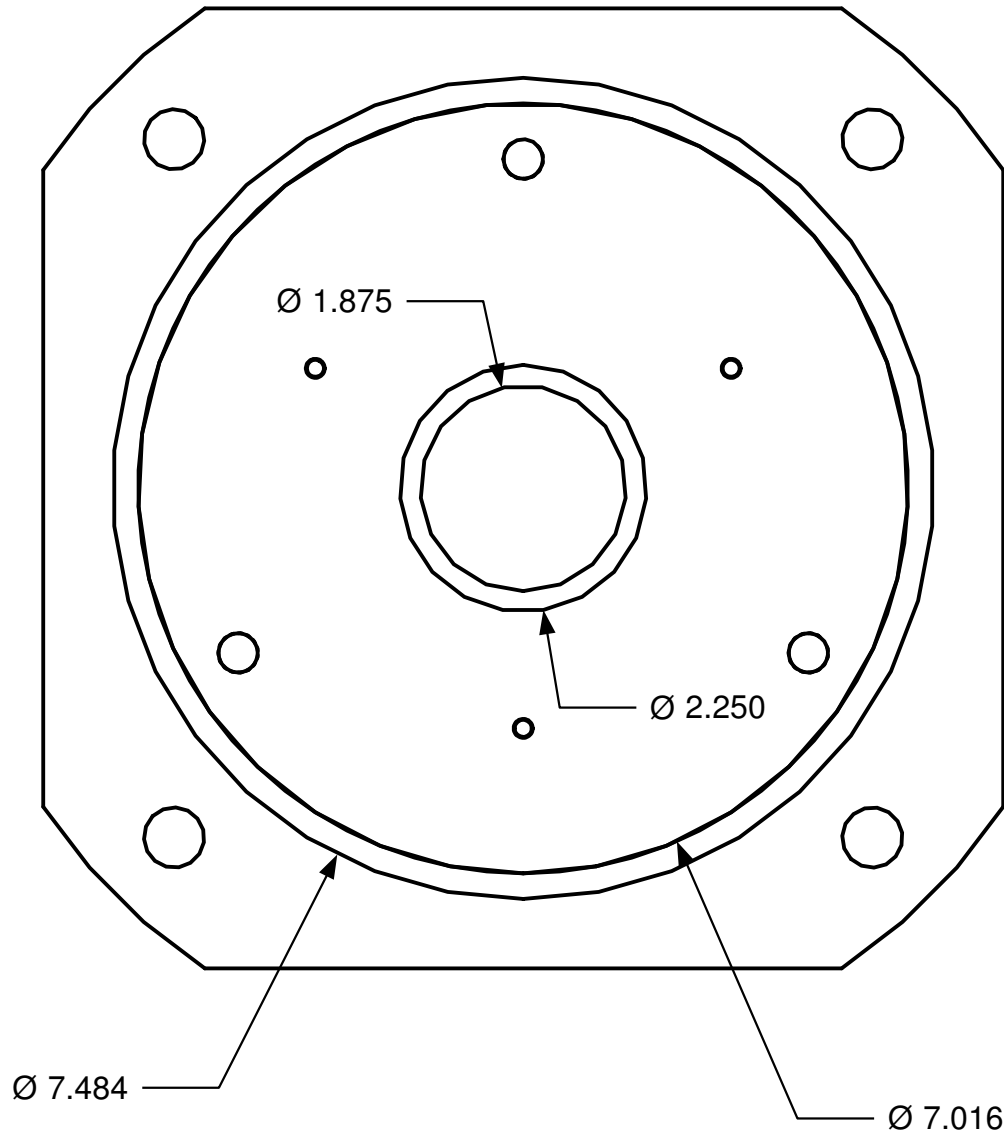


Description: lower hotrotor plate -
inlet case slot details



Part: lower hotrotor plate - sheet c
Scale: inch
Material: 6061 aluminum
Source: speedymetals