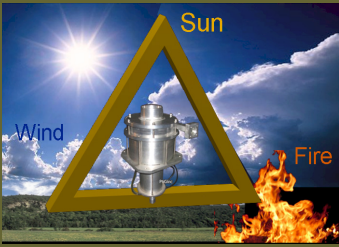


2011



NEW TURBINE WORKSHOP

Hands-on Classes

Turbogenerator Construction

Ken Rieli, Instructor

Opening Statement from the Head Master, Ken Rieli

Introduction: Turbine system basics & building real machinery

Lesson 1 - Shaft Assembly

Lesson 2 - Bearing Case

Lesson 3 - Case Construction

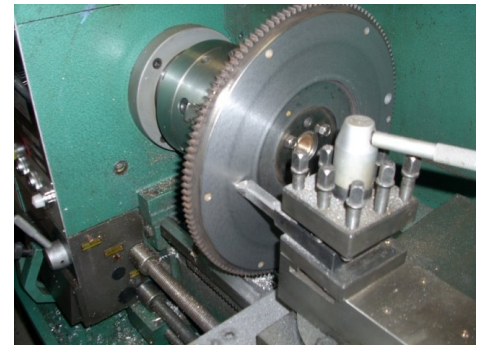
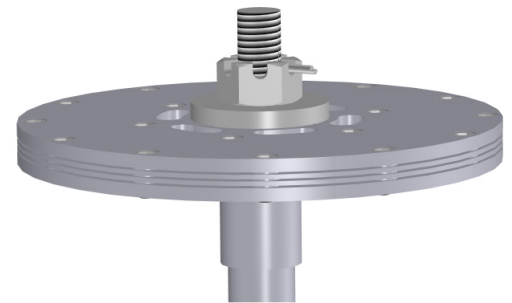
Lesson 4 - Finishing the Case

Lesson 5 - Assembly - Bottom Plate

Lesson 6 - Assemblies - Stator Plate

Lesson 7 - Oil Seals & Fittings

Lesson 8 - Final Assembly



Learn about:

- ◆ Hot rotor assembly
- ◆ Permanent magnet rotor construction
- ◆ Shaft turning
- ◆ Rotor balancing
- ◆ Nozzle construction
- ◆ Inlet flange construction
- ◆ Oil seal assembly
- ◆ Cutting/mounting power studs
- ◆ Assembling oil pump system
- ◆ Connecting pump power leads
- ◆ Gas-tight seals
- ◆ Lubrication

Shop skills:

- ◆ Facing
- ◆ Drilling
- ◆ Tapping
- ◆ Threading
- ◆ Turning
- ◆ Boring an inside taper
- ◆ Tangential boring
- ◆ Countersinking
- ◆ Counter Boring
- ◆ Grinding
- ◆ Polishing
- ◆ Milling with a rotary table

JOIN US TODAY!

- ◆ Learn about 21st century turbomachinery.
- ◆ Harness eternal energy sources—Sun, Wind & Fire.
- ◆ Study at your own pace.

TESTIMONIALS:

I've just begun this exciting project!

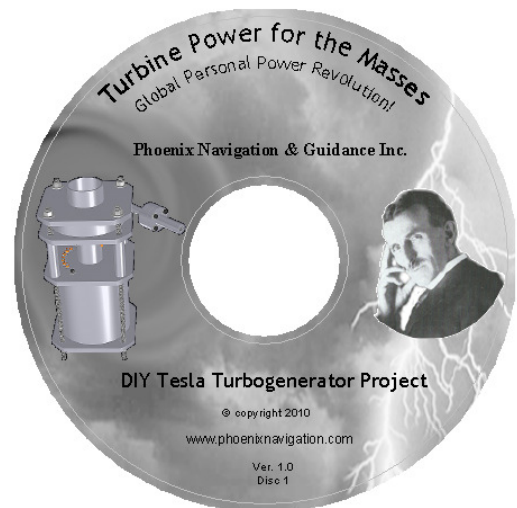
*I am for any thing that makes us self
reliant & not beholdng to corporations.*

*Pakistan has been going through
crippling power outages... We have a lot
of sun and we have great wind belts. We
want to explore both options, for micro
level, small residential level & industrial
level applications.*

The DIY Tesla Turbogenerator Project CD contains complete plans for Ken Rieli's 7-inch pressurized gas turbogenerator, which is the core technology around which New Turbine Workshop projects focus.

To order visit our Phoenix Turbine Builders Club site:

<http://www.phoenixnavigation.com/ptbc>



NEW TURBINE WORKSHOP

<http://newturbine.phoenixnavigation.com>

Questions?

Email us:

newpower@phoenixnavigation.com

Ken Rieli, expert disc turbine designer/builder & multi-physicist, has developed a hands-on approach to learning about 21st century turbomachinery & how to harness eternal energy sources—Sun, Wind & Biofuels.

Building your own closed-loop solar turbogenerator system is more than a valuable independent study course. Students at the New Turbine Workshop learn about the scientific process as they develop the power of self-determination through Liberation technologies.